



SOLID WASTE MANAGEMENT

CALL US

+91 77027 42963



PAPER



GLASS



ORGANIC



PLASTIC



SRI SB ENTERPRISES

1-223, Somavaram, Kirlampudi Mandal, Andhra Pradesh, India-533435

# ABOUT US

"SB ENTERPRISES" is manufacturer Of Waste Management Machineries And Dedicated In Providing Reliable Solutions In Waste Management Through New Technology And Innovation. We Are One Of The Leading Manufactures Of Shredder Machines. Our Company Is Located At Ahmedabad (INDIA) With More Than 12years' Experience In Designing And Development Of Machineries. Our Manufacturing Process Has Been Graded The Best With Highly Skilled And Qualified Workforce And Delivered More Than 800+ Machines In All Over India In Government Sector, Public Sector And Private Sector. We Manually Design And Offer Our Machines To Clients As Per Their Customised Demands. Our Services Includes Timely Delivery, Quick Installation And Commencement Of The Machine With Training To Operate The Machine Effectively.



**FEEDER**



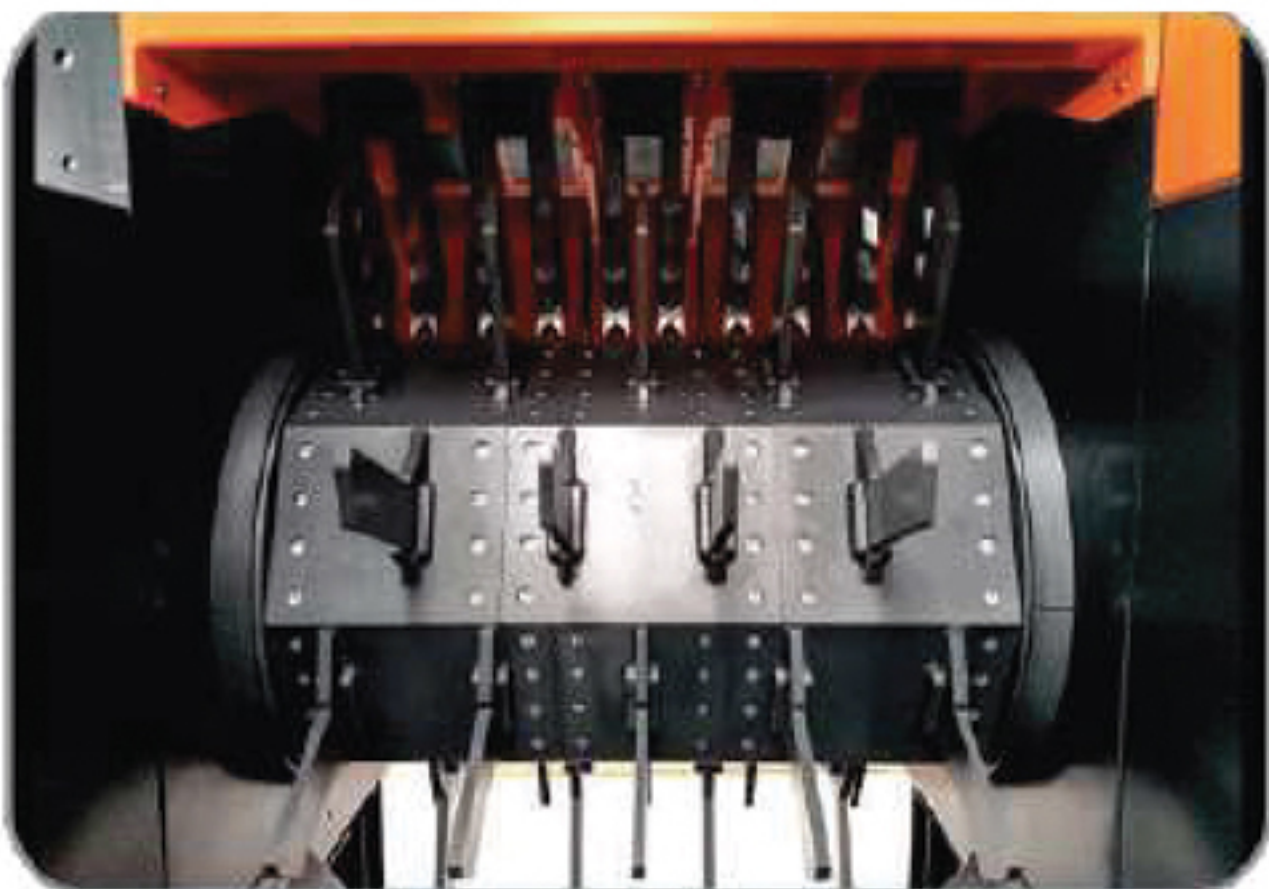
**LOADING CONVEYOR**



**TROMMEL SCREENING**



**COMPOST CONVEYOR**



**BAG OPENER**



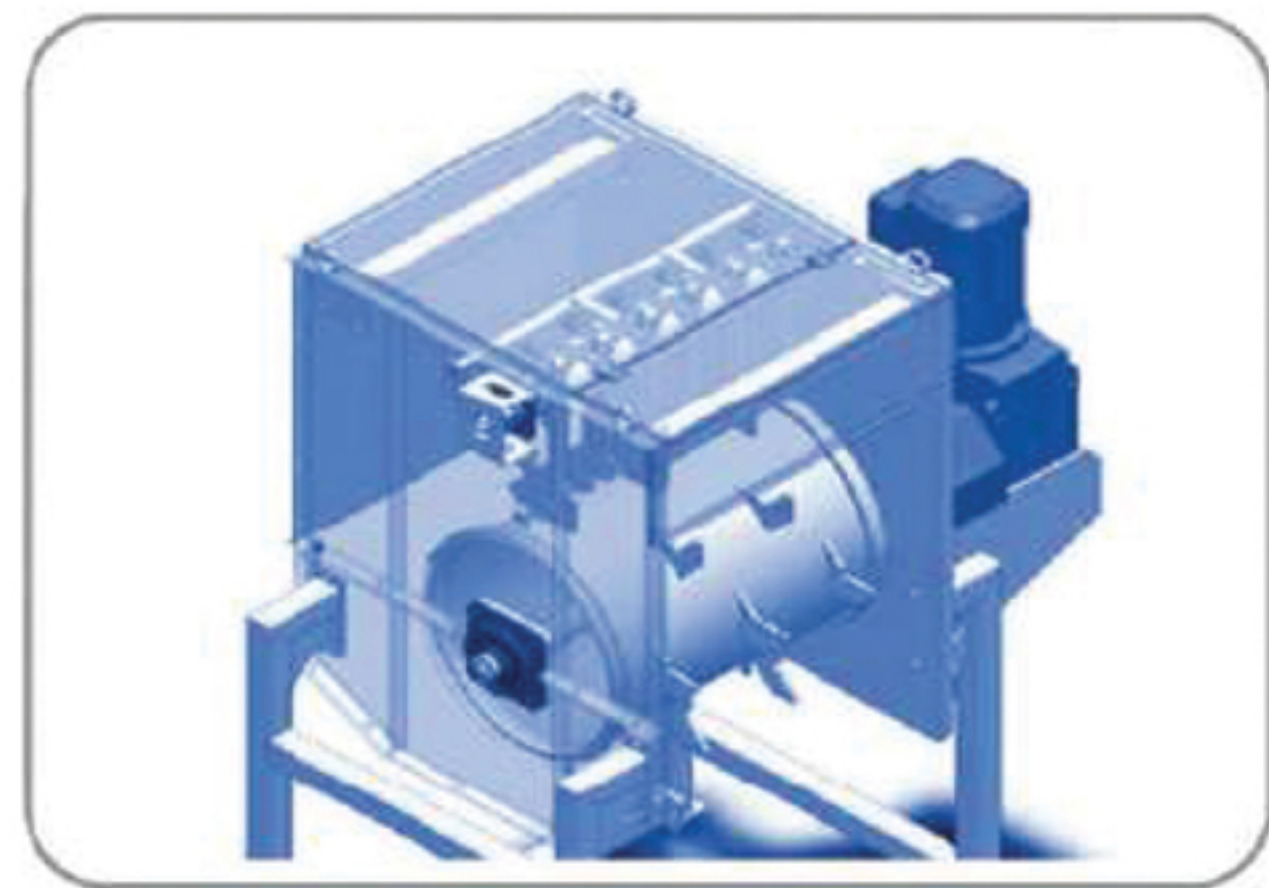
**MAGNETIC SEPARATOR**



**SEGREGATION CONVEYOR**



**FATKA / PLASTIC DUST REMOVAL MACHINE**



**BAG SEPARATOR**



**RDF SHREDDER / GRINDER**



**BALING MACHINE**



**ORGANIC WASTE TO COMPOST MACHINE**



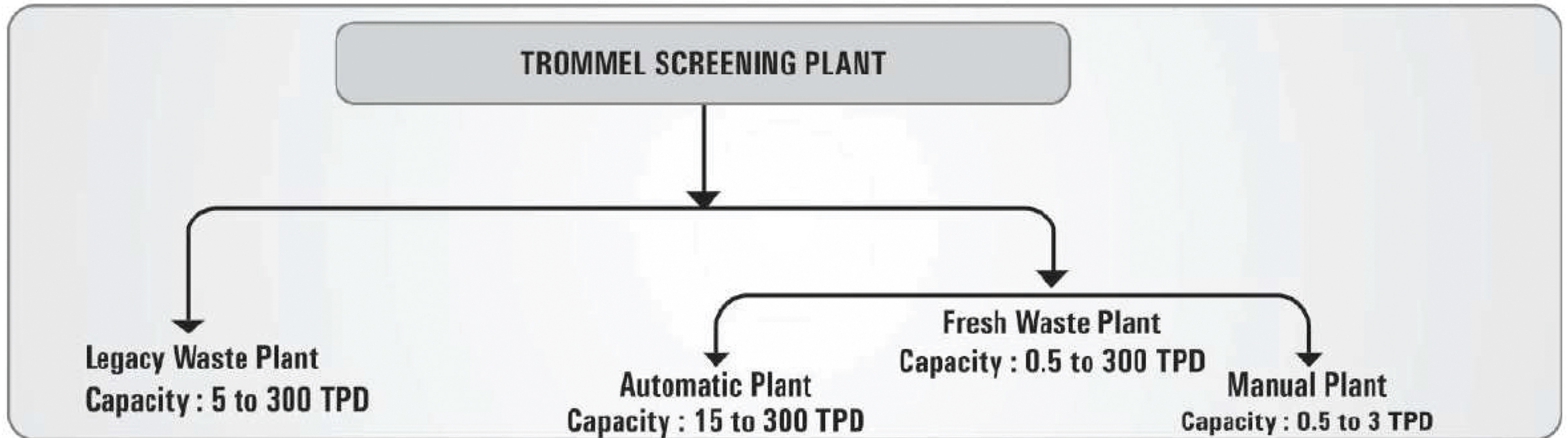
**TROMMEL SCREENING PLANT MACHINERIES FOR LEGACY WASTE & FRESH WASTE**



## Trommel Screening Plant Machineries For Legacy Waste & Fresh Waste

- Legacy Wastes Are The Wastes That Have Been Collected And Kept For Years At A Place Dedicated For Landfill (an Area To Dump Solid Waste).
- Fresh Waste Is Collected From Door To Door By Municipalities And Other Body In City, Town, Villages And Sent To Mrf Centre.

**Capacity- 0.5 TPD to 300 TPD**



<ul style="list-style-type: none"> <li>◆ Feeder</li> <li>◆ Trommel Screening</li> <li>◆ Compost Conveyor</li> <li>◆ Magnetic Separator</li> <li>◆ RDF Conveyor</li> <li>◆ RDF Shredder/ Grinder</li> </ul>	<ul style="list-style-type: none"> <li>◆ Feeder</li> <li>◆ Bag Opener</li> <li>◆ Bag Separator</li> <li>◆ Loading Conveyor</li> <li>◆ Trommel Screening</li> <li>◆ Compost Conveyor</li> <li>◆ Magnetic Separator</li> <li>◆ RDF Conveyor</li> <li>◆ Segregation Conveyor</li> <li>◆ Fatka / Plastic Dust Removal Machine</li> <li>◆ RDF Shredder / Grinder</li> <li>◆ Baling Machine</li> <li>◆ Organic Waste To Compost Machine</li> </ul>	<ul style="list-style-type: none"> <li>◆ Segregation Conveyor</li> <li>◆ Fatka / Plastic Dust</li> <li>◆ Removal Machine</li> <li>◆ Baling Machine</li> <li>◆ Organic Waste To Compost Machine</li> </ul>
--	--	---

### LIGHT DUTY SHREDDER



### HEAVY DUTY SHREDDER



### MEDIUM DUTY SHREDDER



## Shredder Machine

Our Shredding Technology Is Used To Transform The Waste Material To Recyclable. Size Reduction Technology Has Been Utilized To Process Large Objects Into A Small Consistent Size For More Efficiency. This Shredding Technological Solution Deals With The Organic, Plastics, Msw, Raffia And Jumbo Bags, Wood, Paper, Cardboard, Aluminium, Biomass Waste, & E-waste, Metal Etc.

### Features :-

**Reliability-**our Shredder Components Are Engineered & Handled For Rugged Application For Long-lasting Reliability. Machine Working With Low Speed, High Torque, Low Noise.

**Durability-** Replaceable Cutters Increase Durability Of Cutting Chambers. machine Cutters Are Manufactured From Various Materials Suitable For Long Life And High Strength Against Input Material.

**Easy Operation-** This Machine Is User-friendly, Bottom Auto Delivery Option & Can Be Easily Handled With A Single Individual,

**Control Panel** -the Fine Features Of The Machine Have Over Load Protection, Auto Reverse Operation Against Over-feeding And Damage By Unsuitable Materials.

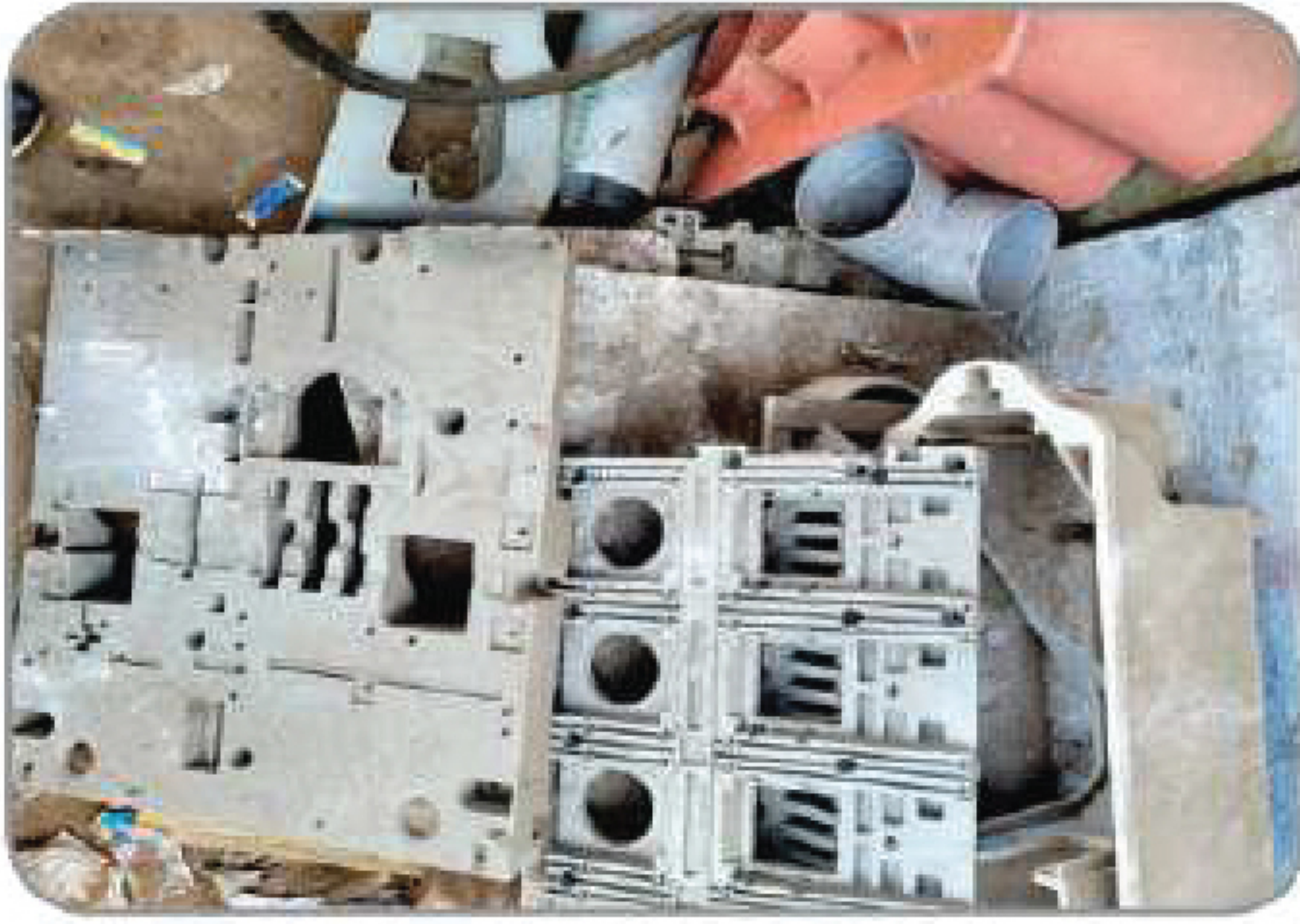
**Advance Bearing Housing-** Isolates Bearings From Cutting Chambers Contaminations

**Easy Maintenance** · Easy To Access To All Maintenance Parts

INPUT MATERIAL	CATEGORY	CAPACITY	POWER RANGE	OUTPUT SHREDDING
	<b>MSW/ RDF Shredder</b>	<b>40 Kg/ Hours To 10 Tons/ Hour</b>	<b>5 HP to 200 HP</b>	
	<b>Raffia / Jumbo Bag Plastic Shredder</b>	<b>40 Kg/Hour To 4 Tons/ Hour</b>	<b>10 HP to 100 HP</b>	
	<b>Organic / Horticulture Wood Shredder</b>	<b>100 Kg/Hour To 10 Tons/ Hour</b>	<b>3 HP to 80 HP</b>	
	<b>Medical Waste Shredder</b>	<b>200 Kg/Hour To 2 Tons/ Hour</b>	<b>10 HP to 50 HP</b>	
	<b>E-Waste Shredder</b>	<b>300 Kg/Hour To 10 Tons/ Hour</b>	<b>30 HP to 200 HP</b>	
	<b>Tyre Shredder</b>	<b>500 Kg/hour To 5 Tons/ Hour</b>	<b>60 HP to 300 HP</b>	
	<b>Carboard / Paper Documents Shredder</b>	<b>80 Kg/Hour To 500 Kg/ Hour</b>	<b>2 HP to 7.5 HP</b>	
	<b>Metal Shredder Aluminium cable Copper tube Aluminium Canes Light Metal Scrap Roofing Sheet/ Lathe Scrap</b>	<b>200 Kg/Hour To 5 Tons/ Hour</b>	<b>10 HP to 200 HP</b>	

## Grinder Machine

We Offer You Wide Range Of Grinder To Select For Your Specific Requirement Ranging From 5hp To 30 Hp To Grind All Kind Of Plastic Scrap Hdpe, Ldpe, Pp, Abs, Hips, Pc, Nylon, Pet Etc.



Sr. No.	Approximately Capacity-PET Bottle & MSW (Kg/Hour)	Grinder Size	Chamber Size	No. OF Moving Blade	No. OF Fix Blade	Power Range (HP)	Mesh Size (Customise)
1	Up to 40-50 (Kg/ Hour)	12"	260 mm X 300 mm	6 Nos.	2 Nos.	5-7.5	18 mm
2	Up to 60-80 (Kg/ Hour)	16"	325 mm X 400 mm	6 Nos.	2 Nos.	7.5-10	18 mm
3	Up to 90-120 (Kg/ Hour)	18"	400 mm X 460 mm	6 Nos.	2 Nos.	15-30	18 mm
4	Up to 120-150 (Kg/ Hour)	20"	400 mm X 500 mm	9 Nos.	4 Nos.	20-40	18 mm
5	Up to 200-230 (Kg/ Hour)	24"	400 mm X 600 mm	9 Nos.	4 Nos.	25-40	18 mm
6	Up to 300 (Kg/ Hour)	30"	500 mm X 750 mm	12 Nos.	4 Nos.	30-50	18 mm

Phone: +91 77027 42963, Email: [ssb.eprises@gmail.com](mailto:ssb.eprises@gmail.com)

1-223, Somavaram, Kirlampudi Mandal, Andhra Pradesh, India-533435



## Vertical Baling Machine

Baling Is A Process That Compresses Material Into A Block (bale) Which Is Secured By Plastic Or Wire Strapping. The Process Reduces The Volume Of The Material Which:

- Reduces Loose Waste On Site
- Reduces Transportation/waste Disposal Costs
- Turns Waste Into A Revenue Generating Product



Capacity	Bale Size	Bale Weight	Chamber Size	Cylinder Size	Oil Tank Capacity	Production Rates	Motor
15 Ton Pressure Single Chamber Single Cylinder	18(L)x24(W) in Inch 500 mm (L)x600 mm (W)	30 to 50 Kg.	8(L)x24(W)x36(H) In Inch 500 mm (L)x600 mm (W) X 914 mm (H)	100(Bore)* 115(Od)* 65 (Ram)* 700 (Stroke) mm	50 Liters	8 To 10 Minuets	3 HP
25 Ton Pressure Single Chamber Single Cylinder	30(L)x26(W) in Inch 762 mm (L)x660 mm (W)	100 to 120 Kg.	30(L)x26(W)x45(H) In Inch 762 mm (L)x660 mm (W) X 1143 mm (H)	140(Bore)* 160(Od)* 90(Ram)* 1000 (Stroke) mm	80 Liters.	10 To 15 Minuets	5 HP
40 Ton Pressure Single Chamber Single Cylinder	30(L)x20(W) in Inch 762 mm (L)x508 mm (W)	80 to 120 Kg..	30(L)x20(W)x56(H) In Inch 762 mm (L)x508 mm (W) X 1422 mm (H)	160(Bore)* 195(Od)* 100(Ram)* 1200 (Stroke) mm	200 Litres	20 To 25 Minuets	10 HP
50 Ton Pressure Single Chamber Single Cylinder	30(L)x20(W) in Inch 762 mm (L)x508 mm (W)	140 to 150 Kg.	30(L)x20(W)x64(H) In Inch 762 mm (L)x508 mm (W) X 1625 mm (H)	170(Bore)* 205(Od)* 110(Ram)* 1300 (Stroke) mm	200 Litres	20 To 25 Minuets	10 HP
60 Ton Pressure Single Chamber Single Cylinder	40(L)x20(W) in Inch 1016 mm (L)x508 mm (W)	100 to 120 kg	40(L)x20(W)x60(H) In Inch 762 mm (L)x508 mm (W) X 1524 mm (H)	180(Bore)* 220(Od)* 110(Ram)* 1200 (Stroke) mm	250 Litres	10 To 15 Minuets	10 HP
75Ton Pressure Single Chamber Single Cylinder	30(L)x20(W) in Inch 762 mm (L)x508 mm (W)	180 to 200 Kg.	30(L)x20(W)x72(H) In Inch 762 mm (L)x508 mm (W) X 1625 mm (H)	200(Bore)* 245(Od)* 135(Ram)* 1400 (Stroke) mm	300 Litres	20 To 25 Minuets	15+3 HP

Phone: +91 77027 42963, Email: [ssb.eprises@gmail.com](mailto:ssb.eprises@gmail.com)

1-223, Somavaram, Kirlampudi Mandal, Andhra Pradesh, India-533435



# MUNICIPAL SOLID WASTE RECYCLING SYSTEMS



Phone: +91 77027 42963, Email: [ssb.eprises@gmail.com](mailto:ssb.eprises@gmail.com)  
1-223, Somavaram, Kirlampudi Mandal, Andhra Pradesh, India-533435